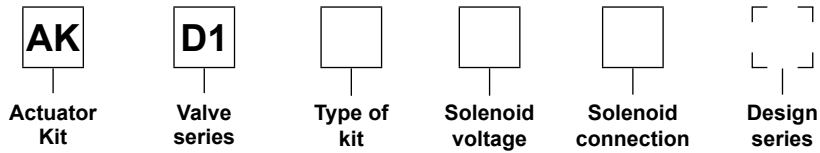


Solenoid and tubes for Series D1FB Design 14.



Ordering Code



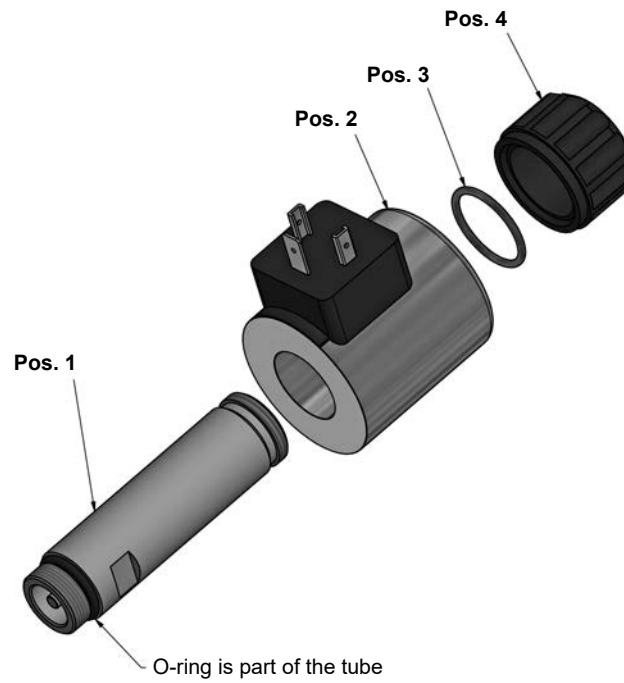
Code	Type of kit
FBS	Solenoid Kit ¹⁾
FBC	Solenoid Kit ¹⁾²⁾
VWC	Coil Kit ³⁾

Code	Connector
W	Connector as per EN 175301-803
J	Connector DT04-2P "Deutsch"

Solenoid voltage	
D1FB*0: Spool/sleeve design	
Code	Solenoid
M	9 V / 2.7 A
J	24 V / 0.8 A
D1FB*3: Spool/body design	
Code	Solenoid
K	12 V / 2.2 A
J	24 V / 1.1 A

¹⁾ Solenoid kit contains tube, coil, retainer, override and seals.
²⁾ Only for solenoid code M and connector code J.
³⁾ Coil kit contains coil, retainer and seals for the coil.

D1FB actuator kit



Content kit

Kit	Position				Solenoid gasket (not shown)
	1	2	3	4	
AK-D1FBCMJ015	—	•	•	•	—
AK-D1FBSJJ314	•	•	•	•	—
AK-D1FBSJW014	•	•	•	•	—
AK-D1FBSJW314	•	•	•	•	—
AK-D1FBSMW014	•	•	•	•	—
AK-D1VWCKJ1P91	—	•	•	•	•
AK-D1VWCKW91	—	•	•	•	•
AK-D1VWCJW91	—	•	•	•	•

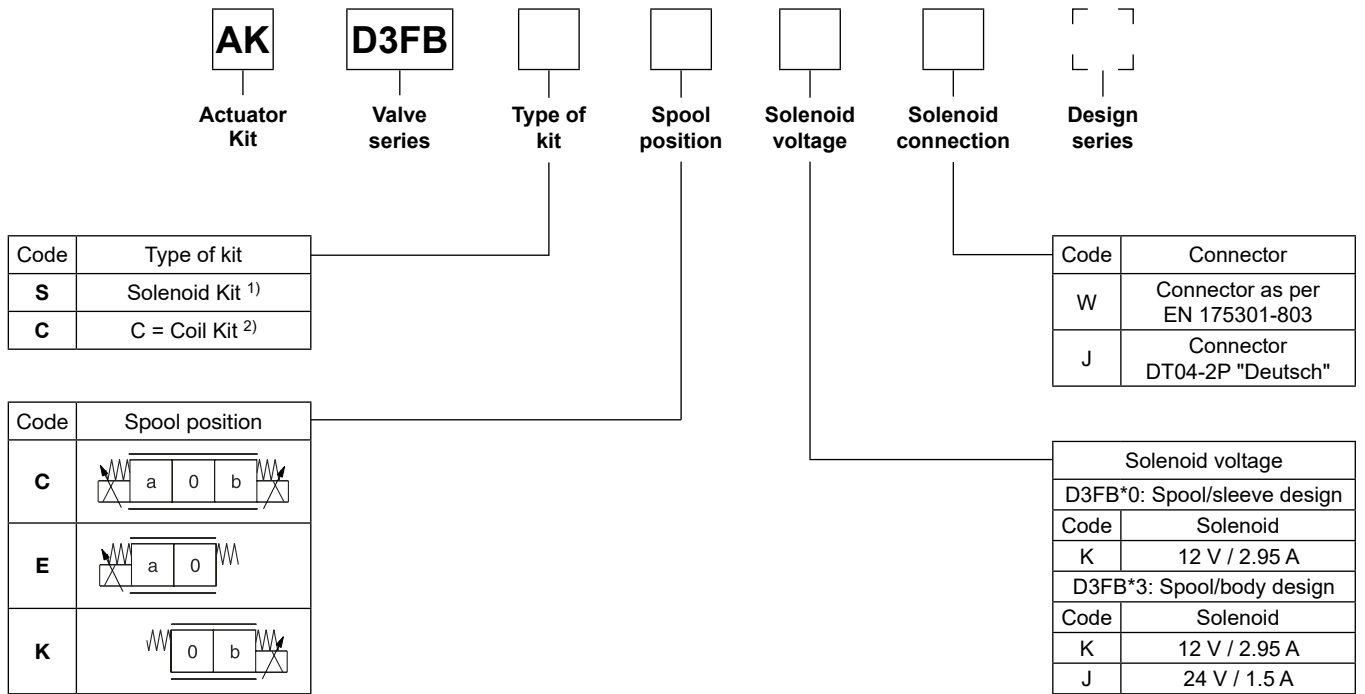
Torque

	Torque [Nm]
Tube	20
Retainer	6

Solenoid and tubes for Series D3FB Design 12/18.

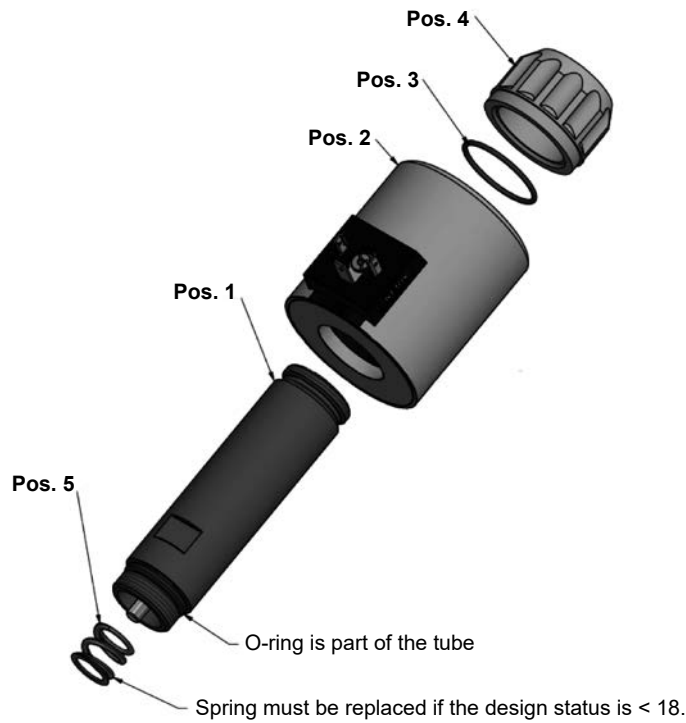


Ordering Code



¹⁾ Solenoid kit contains tube, coil, retainer, override and seals.
²⁾ Coil kit contains coil, retainer and seals for the coil.

D3FB actuator kit



Content kit

Kit	Position					Solenoid gasket (not shown)
	1	2	3	4	5 ¹⁾	
AK-D3FBCJW12	—	•	•	•	—	—
AK-D3FBCKW12	—	•	•	•	—	—
AK-D3FBSCJW18	•	•	•	•	•	•
AK-D3FBSCKW18	•	•	•	•	•	•
AK-D3FBSEKW18	•	•	•	•	•	•

¹⁾ Pos. 5 (spring) must be replaced if the design status is < 18.

Torque

	Torque [Nm]
Tube	20
Retainer	6